



Airport	Stockholm Arlanda
Location	Billboard on the side of the road towards the airport
Product	Billboard
Name	ARN-007
Number of faces	1
Format	13 996 x 3 996 mm
Gross price	190 000 SEK
Installation	Contact Swedavia
Campaign period	Monthly
Materail deadline	Minimum 5 working days before campaign start

# Specifications sheet

ARN-007

## Delivery address:

Swedavia Godsmottagning Starrmossen 115  
190 60 Stockholm Arlanda  
ATT: Katrin Bäckman  
Delivery: Monday to Friday, 06:00-15:00

## Contact person:

Katrin Bäckman  
010-109 13 05  
katrin.backman@swedavia.se

The material must be delivered no later than five working days before campaign start.

## Technical details:

Description of location:  
Billboard on the side of the road towards the airport.

## Type of sign:

Billboard.

## Space visible/image area (for original production):

14 000 x 4 000 mm.

## Production dimensions (including construction):

Net size: 14 276 x 4 276 mm.  
Gross size: 14 340 x 4 340 mm.

## Material (All material must be fire-classified):

PVC banner for outdoor use. B1 flammability class as per DIN 4102.

## Construction:

Plastic boarder, 30 x 2 mm, sewn onto all edges.

## Packaging and marking:

The material must be clearly marked with the advertiser, campaign period, subject and index number, as well as a picture of the subject. The material must also be clearly marked with the airport contact person.

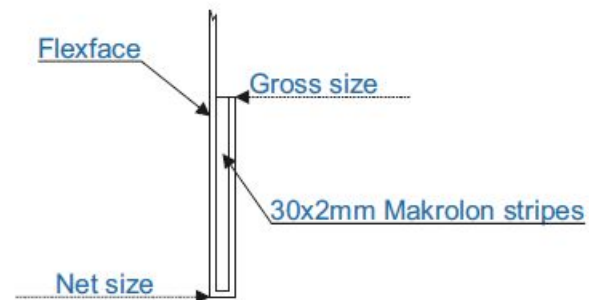
## Production:

Since it is complicated to produce this product, production may only be carried out by a printing firm with enough knowledge about these systems. Contact Swedavia for further information.

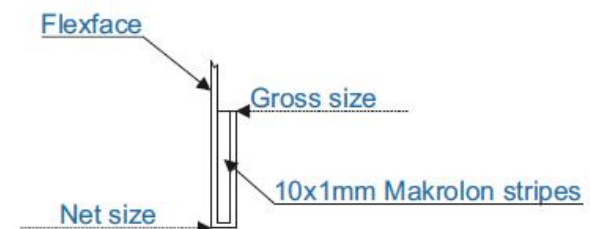


Contact **Swedavia Advertising**  
airport.advertising@swedavia.se

## Arlanda 14000x4000mm box flexface:



## Arlanda 6000x3000mm box flexface:



# Location

ARN-007

